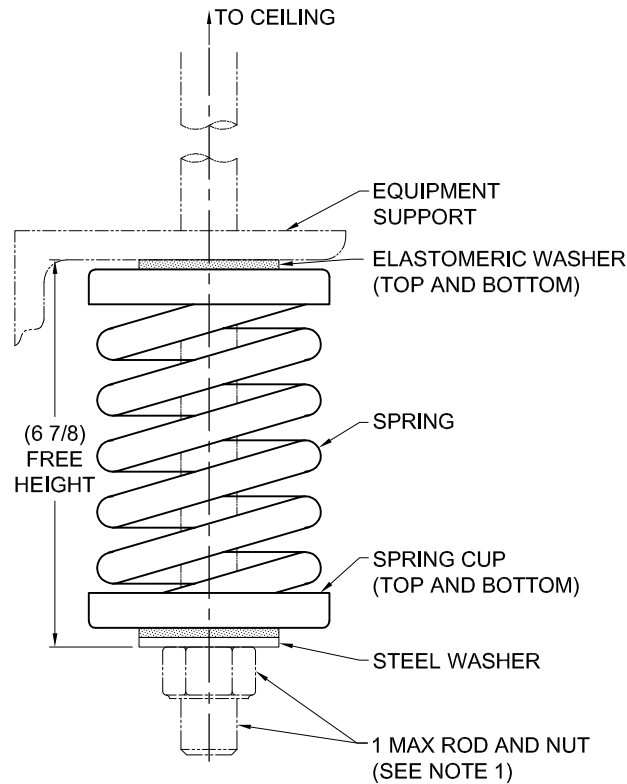


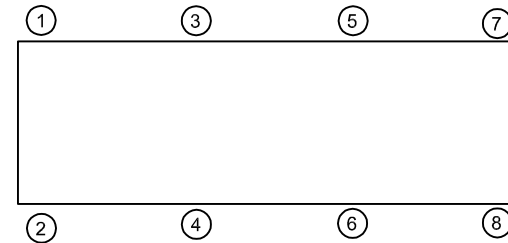
REV.	DESCRIPTION	DATE	BY



TYPE HSO-2E SPRING HANGERS FOR 2" NOMINAL DEFLECTION				
HANGER	RATED LOAD (LBS)	DEFLECTION (IN)	SPRING RATE (LB/IN)	SPRING COLOR CODE
HSO-2E-80	80	2.00	40	BLACK
HSO-2E-150	150	2.00	75	GREEN
HSO-2E-300	300	2.00	150	DK YELLOW
HSO-2E-500	500	2.00	250	BLUE
HSO-2E-776N ¹	776	2.00	388	BLUE/BLACK
HSO-2E-1000	1000	2.00	500	TAN
HSO-2E-1400	1400	1.87	749	RED
HSO-2E-1600N ¹	1600	2.13	750	TAN/RED
HSO-2E-1800	1800	1.71	1053	DK GRAY
HSO-2E-2050	2050	1.64	1250	DK BLUE
HSO-2E-2250N ¹	2250	1.62	1389	DK BLUE/BLACK
HSO-2E-2460N ¹	2460	1.64	1500	DK BLUE/RED
HSO-2E-2700N ¹	2700	1.64	1646	DK BLUE/ DK GREEN

NOTES:

1. TWO NESTED SPRINGS YIELD THIS LOAD. THE COLOR CODE INDICATED IS FOR OUTER SPRING/ INNER SPRING.



NOTES:

- HANGER RODS AND NUTS, AS SHOWN, NOT BY THE VMC GROUP.
- STANDARD FINISH SPRING - POWDER COAT. HARDWARE: ZINC-ELECTROPLATE.
- ALL DIMENSIONS IN INCHES. INTERPRET PER ANSI Y14.
- ALL DIMENSIONS ARE FOR REFERENCE, DIMENSIONS SHOWN AS NOMINAL.
- ALL SPRINGS ARE DESIGNED WITH MINIMUM 50% OVER-TRAVEL.
- RATED DEFLECTIONS ARE WITHIN 25% OF NOMINAL. HIGHER DEFLECTIONS ARE ALLOWED IF THEY MEET SPECIFICATIONS.

ISOLATOR SELECTIONS

LOC 1:	LOC 2:
LOC 3:	LOC 4:
LOC 5:	LOC 6:
LOC 7:	LOC 8:
CUSTOMER EQP'T. TAG:	

NOTE: MATERIAL SHOWN IS FOR (1) SET.

OTHER MATERIALS, COMPOUNDS, OR FINISHES WITH EQUAL OR SUPERIOR PROPERTIES MAY BE SUBSTITUTED AS THEY BECOME AVAILABLE.

CERTIFIED FOR:

JOB NAME: _____
 CUSTOMER: _____
 CUSTOMER P.O.: _____
 SALES ORDER: _____

**MODEL HSO-2E 80-2700 LBS. SPRING
HANGERS 2 INCH DEFLECTION**



THE VMC GROUP
The Power of Together
 Bloomingdale, NJ 07403
 Houston, TX 77041

SCALE:
NONE

SHEET:



DRAWING NO.:

REVISION